



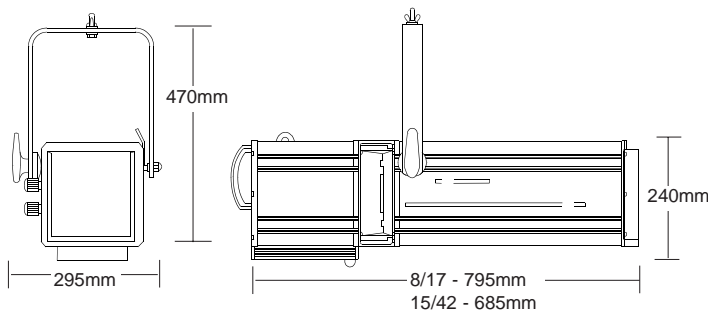
OPTIQUE™

Condenser profile spotlights 1200W

Features

The condenser optics design of Optique produces clean even beams for precise projection of sharp images such as shutter edges and gobos and provides an excellent alternative to the Cantata profile spots.

- ❑ Range comprises two variable beam angle profile spots covering beam angles between 8° to 42°
- ❑ All models feature drop down lamp tray for easy lamp access and condenser cleaning
- ❑ Mains supply isolated when lamptray opened
- ❑ Fully rotatable gate assembly
- ❑ Durable construction of pressure die cast and extruded aluminium



Weights and Dimensions

	Optique 8/17	Optique 15/42
Weight	12.8kg	12.6kg
Packed Weight	15.9kg	15.4kg
Packed Volume	0.15m ³	0.13m ³

Mechanical/Electrical Data

Construction

Pressure die cast front and rear panels, pressed steel gate bulkhead panels with extruded aluminium side panels and mild steel infill panels all finished in black epoxy powder coating.

Gate/Lenstube

Fully rotatable gate assembly housing four removable beam shaping shutters and runners for gobo holder or iris in pressure die cast aluminium held between pressed steel bulkhead plates.

Lenses

Lamphouse: Heat treated aspheric condenser lens

Lenstube: Heat resistant borosilicate lenses with selective anti reflective coatings housed in die cast carriers on sliders running in extruded slots in lenstube side panels.

Lampholder

GX9.5 to take lamps of 67 mm LCL (55 mm in alternative lampholder location) and maximum of 1200W

Supply Voltage

230V +/- 10% 50/60 Hz

Standards compliance

Designed to comply with EN 60 598 2-17

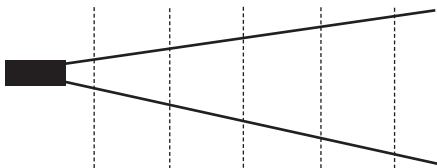


Photometric data

Typical performance based on laboratory readings using CP90 1200W lamp

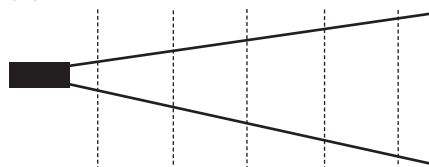
Optique 8/17 Narrow (8°)

Distance (m)	10	12.5	15	17.5	20
Beam Ø (m)	1.4	1.75	2.1	2.45	2.8
Illum (lux)	3550	2272	1580	1160	890



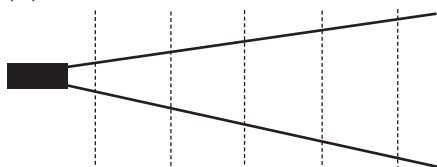
Optique 8/17 Wide (17°)

Distance (m)	10	12.5	15	17.5	20
Beam Ø (m)	1.4	1.75	2.1	2.45	2.8
Illum (lux)	960	615	425	315	240



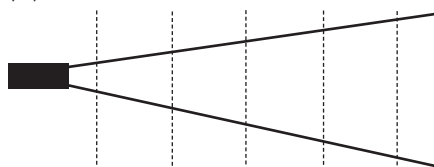
Optique 15/42 Narrow (15°)

Distance (m)	10	12.5	15	17.5	20
Beam Ø (m)	2.0	2.6	3.3	3.9	5.3
Illum (lux)	1955	1100	705	490	360



Optique 15/42 Wide (42°)

Distance (m)	10	12.5	15	17.5	20
Beam Ø (m)	5.8	7.7	9.6	11.5	13.4
Illum (lux)	425	240	155	155	80



To calculate lux levels at any throw distance divide the following factors by the distance²:

	Optique 8/17	Optique 15/42
Narrow	355000	110000
Wide	96000	24000

To calculate beam diameters at any throw distance multiply the throw in metres by:

	Optique 8/17	Optique 15/42
Narrow	0.14	0.26
Wide	0.3	0.77

Operational Data

Lamp Access

Through drop down lamp tray secured by quarter turn fastener. Lamp tray can only be opened after removal of power connector ensuring full electrical isolation.

Focus Adjustment

By locking screw handles on side of lens tubes with focus setting indication provided

Accessories

Colour runners take DIN standard 185 x 185mm colour frames
Gobo size: M

Ordering information

Optique spotlights are supplied complete with 1.5m of detachable cable with IEC 320 appliance connector and fitted plug, metal colour frame and CP90 1200W lamp.

Cat No Description

12014	Optique 8/17, 240V CP90 1200W lamp, 15A plug
12013	Optique 8/17, 230V CP90 1200W lamp, Schuko plug
12024	Optique 15/42, 240V CP90 1200W lamp, 15A plug
12023	Optique 15/42, 230V CP90 1200W lamp, Schuko plug

Optional accessories and lamps

18100	Gobo Holder for 'M' size gobos
18103	Iris, 18 leaf
18104	Additional colour frame, metal
82010	Hook Clamp
82000	Safety cable, light duty (up to 16kg)
55001	Colour Call Scroller, CC1
43904	Additional CP90 Lamp 1200W, 3200K, 200Hr - 240V
43903	Additional CP90 Lamp 1200W, 3200K, 200Hr - 230V

The Company reserves the right to make any variation in design or construction to the equipment described. © Strand Lighting Ltd 1998.

Strand™, Strand Lighting™, Strand Quartzcolor™ are trade marks of Strand Lighting Limited and Strand Lighting Inc.

Strand Lighting Ltd North Hyde House Hayes Rd Heston Middx UB2 5NL UK Tel: +44 (0)181 571 3588 Fax: +44 (0)181 571 3305

Strand Lighting GmbH Ullsteinstrasse 114-142 D-12109 Berlin Germany Tel: +49 (0) 30/70 79 51 0 Fax: +49 (0) 30/70 79 519 9

Strand Lighting Italia srl Via delle Gardenie 33 00040 Pomezia-Roma Italy Tel: +39 06 9147123 Fax: +39 06 9147136

Strand Lighting Asia Ltd 7/F Corporation Square 8 Lam Lok Street Kowloon Bay Hong Kong Tel: +852 2757 3033 Fax: +852 2757 1767

LONDON - BERLIN - ROME - PARIS - MOSCOW - LOS ANGELES - NEW YORK - TORONTO - HONG KONG